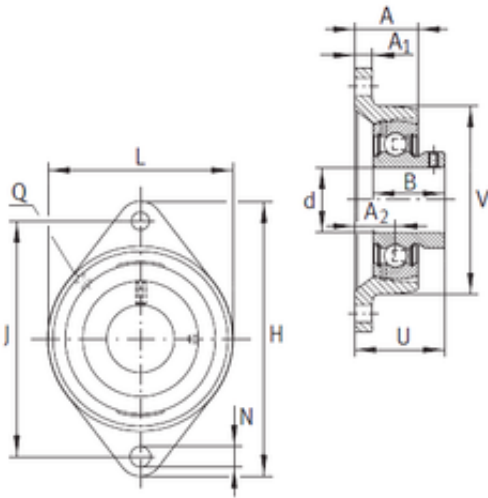




# BEARING CORP.OF AMERICA

## GRAE30-NPP-B-FA125.5 Radial Insert Ball Bearing 30x62x35.8mm

Bearing No. PCJTY50-N



PCJTY50-N Bearing 2D drawings and 3D CAD models

Bore Diameter	50 mm
d	50 mm
V	116 mm
U	60 mm
Thread (Q)	Rp1/8
A	39 mm
A1	13 mm
B	43 mm
H	190 mm
J	157 mm
L	116 mm
N	18 mm
A2	28 mm
Weight	1,82 Kg
Basic dynamic load rating (C)	35 kN
Category	Flange Block Bearings
Inventory	0.0
Manufacturer Name	SCHAEFFLER GROUP
Minimum Buy Quantity	N/A
Weight / Kilogram	2.575
Product Group	M06110
Number of Mounting Holes	2
Mounting Method	Set Screw
Housing Style	2 Bolt Flange Block
Rolling Element	Ball Bearing



## BEARING CORP.OF AMERICA

Housing Material	Cast Iron
Expansion / Non-expansion	Non-expansion
Mounting Bolts	18 Millimeter
Relubricatable	Yes
Insert Part Number	GAY50NPPB
Seals	Double Lip Contact
Housing Configuration	1 Piece Solid
Pilot Configuration	No Pilot
Inch - Metric	Metric
Long Description	2 Bolt Flange Block; 50MM Bore; 157MM Bolt Circle; 157MM Bolt Spacing; 1 Piece Solid; Set Screw Mount; Cast Iron; Ball Bearing; 43MM Length Thru Bore; Relubricatable; Double Lip Contact Seal
Other Features	Single Row   Radial   Metric   With Grub Screw
Category	Flange Block
UNSPSC	31171501
Harmonized Tariff Code	8483.20.40.40
Noun	Bearing
Keyword String	Flanged
Manufacturer URL	<a href="http://www.ina.com">http://www.ina.com</a>
Manufacturer Item Number	PCJTY50
Weight / LBS	5.513
Length Thru Bore	1.693 Inch   43 Millimeter
Cartridge Pilot Diameter	0 Inch   0 Millimeter
Nominal Bolt Circle Diameter Round	6.2 Inch   157 Millimeter
Bore	1.969 Inch   50 Millimeter
Bolt Spacing	6.181 Inch   157 Millimeter