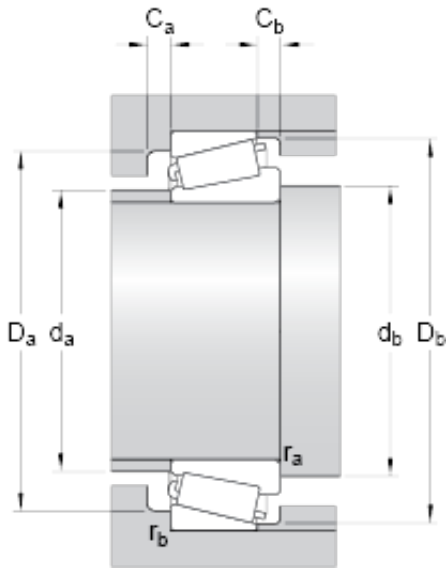




BEARING CORP.OF AMERICA

50 mm x 80 mm x 24 mm 51207 Thrust Ball Bearing 35x62x18mm

Bearing No. 33010



33010 Bearing 2D drawings and 3D CAD models

Dimension series	2CE
d	50 mm
D	80 mm
T	24 mm
d ₁	65.3 mm
B	24 mm
C	19 mm
r _{1,2} min.	1 mm
r _{3,4} min.	1 mm
a	17.391 mm
d _a max.	57 mm
d _b min.	57.5 mm
D _a min.	72 mm
D _a max.	73.5 mm
D _b min.	76 mm
C _a min.	4 mm
C _b min.	5 mm
r _a max.	1 mm
r _b max.	1 mm
Basic dynamic load rating C	84.8 kN
Basic static load rating C ₀	102 kN
Fatigue load limit P _u	11.4 kN
Reference speed	6300 r/min
Limiting speed	8000 r/min
Calculation factor e	0.31



BEARING CORP.OF AMERICA

Calculation factor Y	1.9
Calculation factor Y_0	1.1
Mass bearing	0.45 kg